

mai

2021

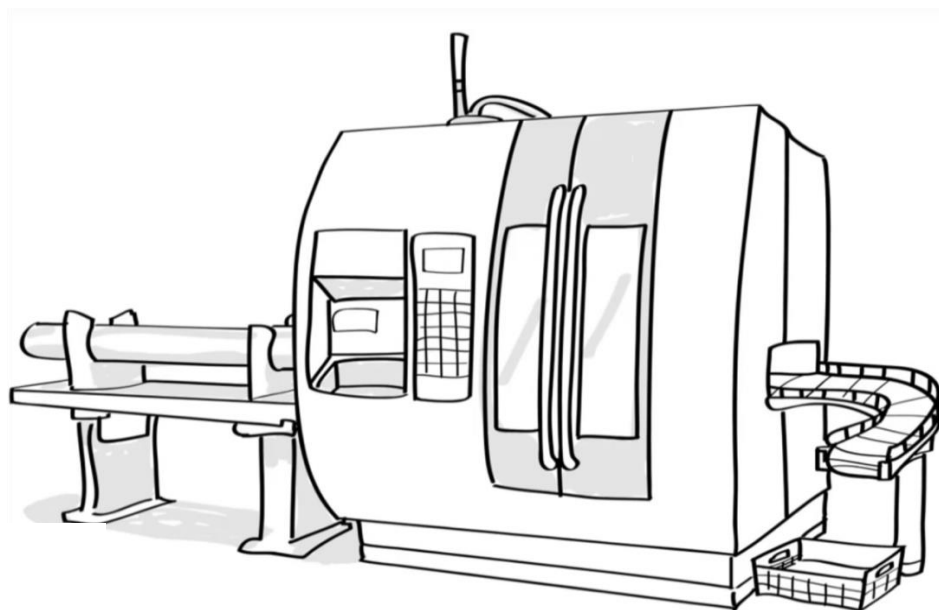
PRODUCTEC

LOGICIELS ET SERVICES DE PROGRAMMATION CNC

WinTool-GibbCAM Interface

User's manual

PPE – V0.7



Productec SA
Grands-Champs 5
CH-2842 ROSSEMAISON
Tel: + 41 32 421 44 33
Fax: + 41 32 421 44 38
E-Mail: support@productec.ch
Internet: www.productec.ch

Gc 3D SYSTEMS®
GibbsCAM®

 ProAXYZ®™

 ProCONNECT

Index

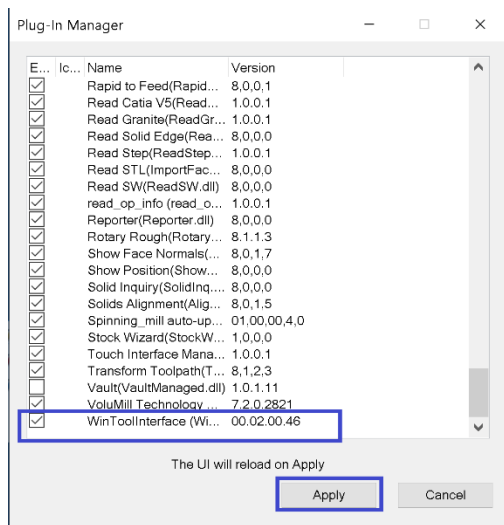
1	WinTool-GibbsCAM Interface	3
1.1	Configuration	3
1.2	Restrictions	3
1.3	Tool import - GET	3
1.4	Tool list Export - PUT	6
2	Installation	6

1 WinTool-GibbsCAM Interface

The WinTool-GibbsCAM Interface is a bridge to import tool definitions from WinTool into GibbsCAM and export tool lists back. There are no changes requested in the post.

1.1 Configuration

First activate the plugin using the Plug-In Manager in GibbsCAM:



Configure the access paths in the following file:

C:\Users\Public\Documents\WinTool-GibbsCAM-InterfaceApp\WinTool-GibbsCAM-InterfaceApp.cfg

The paths `outputPath` and `UserModelsPath` can be left empty, as the default values work well. The path `User3DModelsPath` should be set to the location WinTool is configured to save the user models (stl and step files). For example:

```

5 [WinTool-GibbsCAM-InterfaceApp]
6 OutputPath=
7 # Default OutputPath is "Exchange" folder in local path
8
9 UserModelsPath=
10 # Default UserModelsPath is "UserModels" folder in local path
11
12 User3DModelsPath=C:\Users\Public\Documents\WinTool 2020.2\DE\UserData\3D\Tools
13

```

1.2 Restrictions

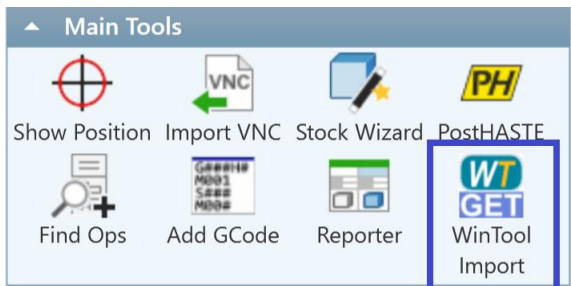
Some tools do not have an exact matching definition in GibbsCAM, so they are imported as 2D form tools. For example, a conic milling tool cannot be represented.

1.3 Tool import - GET

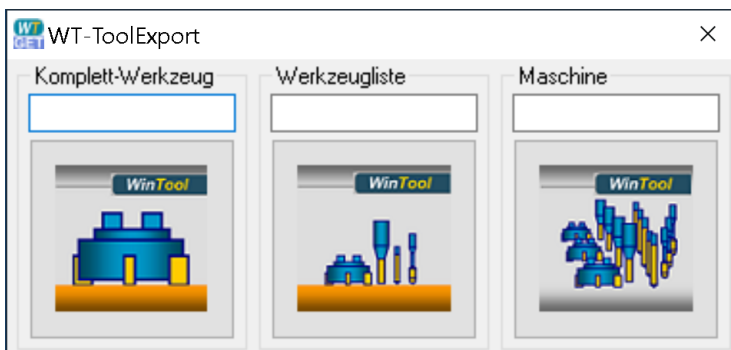
WinTool must be running when using the interface.

If an imported tool must be modified (for example the stickout length), the change must be made in WinTool and the tool must be imported again.

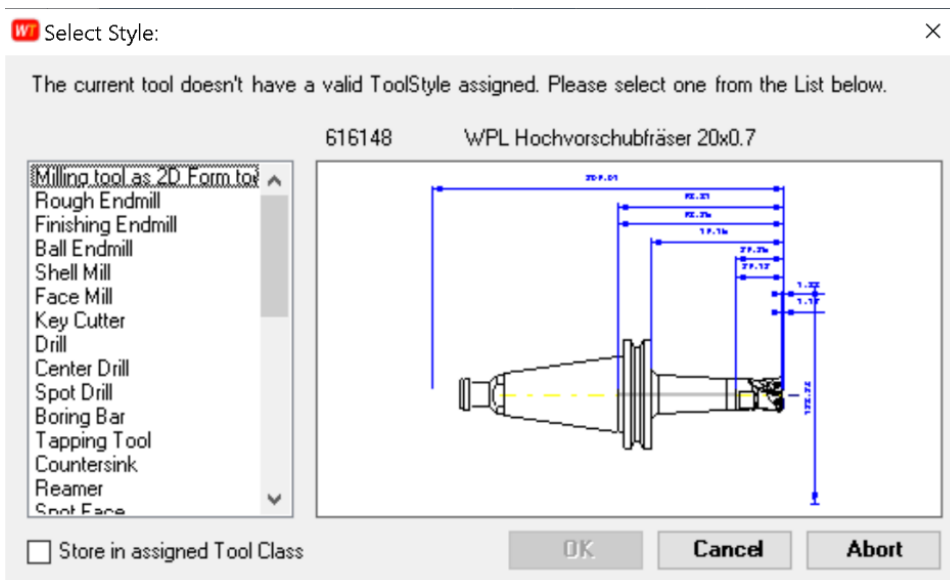
Start an import using the icon in the plugins menu:



The following WinTool window will open, to let you choose which tool or tool list you wish to import:



Each tool must be assigned a class in Gibbs, this is done in the following dialog.



All the existing tool types in GibbsCAM are displayed in the list, except for the ISO inserts that are grouped together. The plugin will determine the actual kind of insert automatically (so a 35° insert should be classified as “ISO insert”). The checkbox in the lower left corner

will tell WinTool to store the class for the specific tool. This can be changed later in WinTool in case of mistake : See the WinTool embedded help, chapter 4.8.2.

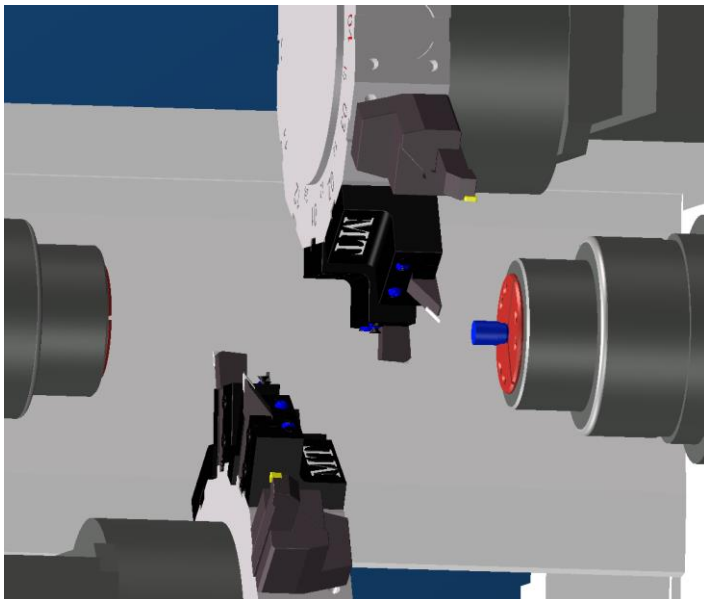
After choosing the tool(s) to import, depending on the machine configuration, the tools have to be assigned to their destination positions. The following window is displayed:

Tool description	Toolgroup	Position	For WP
636111 - Drehwerkzeug SCLCL 2020 K09	Revolver 1 1-12	1	Hauptspindel
636106 - Drehwerkzeug SCLCR 2020 K09	Revolver 1 1-12	1	Hauptspindel
636107 - Drehwerkzeug SCLCL 2020 K09	Revolver 1 1-12	1	Hauptspindel
636105 - Stechhalter rechts 20x20	Revolver 1 1-12	1	Hauptspindel
636110 - Drehwerkzeug SVJCR 2020 K11	Revolver 1 1-12	1	Hauptspindel
636112 - Drehwerkzeug SVJCL 2020 K11	Revolver 1 1-12	1	Hauptspindel
636114 - Spiralbohrer HSS 6x57	Revolver 1 1-12	1	Hauptspindel
636113 - Drehwerkzeug SRDCN 2020 K08	Revolver 1 1-12	1	Hauptspindel
636109 - Bohrstange A20Q SDQCR 07	Revolver 1 1-12	1	Hauptspindel

Buttons: Import, Cancel

The dialog lets you choose the tool position for each tool. The “For WP” column orients the tool (as defined in WinTool) for a preferred workpiece using the Coordinate System defined in the MDD.

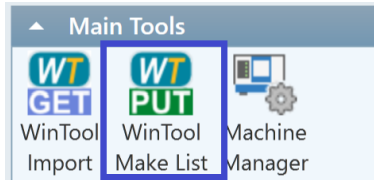
For example, in the following image, the two selected tools (yellow inserts) are the same tool from WinTool, but imported on different revolvers and for the two different spindles:



1.4 Tool list Export - PUT

A list of tools in the current part can be exported back to WinTool. WinTool must be running when using the interface.

To start exporting the tools imported from WinTool as a list, click the PUT icon:



WinTool will open a dialog to specify the needed options. After clicking OK, all the tools that were imported from WinTool will be referenced in the new list.

The cut times from the programmed operations are exported to WinTool for each tool, so to have these data correct in WinTool, the export of a tool list is best made after the programming of the part.

2 Installation

The installer provided by Productec will setup all the files as needed; It requires administrator rights.

There are 3 installation folders:

- C:\Program Files\Productec\WinTool-GibbsCAM-InterfaceApp : executable files for the WinTool integration
- C:\Program Files\Common Files\GibbsCAM Shared\Plugins\Productec : GibbsCAM plugin files
- C:\Users\Public\Documents\WinTool-GibbsCAM-InterfaceApp : configuration files and by default also exchange files