

## WinTool 2021.1.1

Version 21.4.1

### Client installations / Update Instructions

- Run setup.exe to install WinTool
- When starting up WinTool for the first time the software application will be linked to the database (WTDData) in the default data directory (Public\Documents\WinTool <Version>)
- Local licenses can be obtained at the following link:  
<https://license.wintool.com/webdepot/>

### Welcome to WinTool License WebDepot

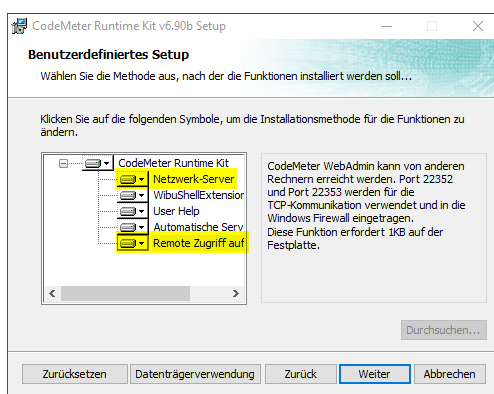
Welcome to WinTool License WebDepot. You can transfer your licenses to your CmContainer using this WebDepot. Please enter your ticket and click "Next".

The ticket no. will be sent to you by e-mail.

- Detailed information on licensing, configuration and also usage with SQL Server can be found within WinTool Help

### Installation in the Network (Update)

- Floating / plant licenses can be obtained like the local licenses (see above).
- Install or update those licenses on a server that can be accessed by the clients (CodeMeterRuntime / Folder ISSetupPrerequisites)



- After having successfully installed WinTool on all clients, you can re-link them to the "hot database" by using the WinTool DB-Manager which is in the WinTool installation directory. The DB-Manager will upgrade the old database structure. Thereafter the new database is no longer compatible with earlier WinTool versions

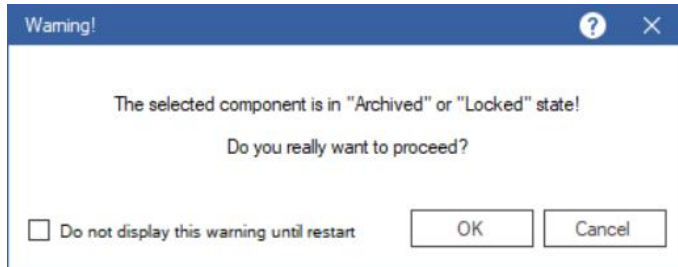
### System Requirements

System Software: Windows 10  
Supported MS SQL Server: MS SQL Server / SQL Server Express 2012 – 2019

## WinTool 2021.1.0 - Changes

### General

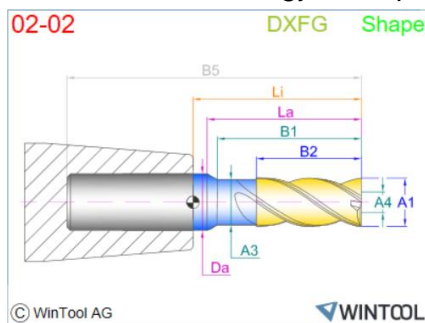
- ✓ New Release Control status notifier over all modules



- ✓ Various optimizations of the search- and filter technology

### Tools

- ✓ New DXF Generator for components
- ✓ New 2D Generator out of the 3D shape model
- ✓ New outline technology with optimized validation and dimming



- ✓ New search & filter technology in the tap bill of material
- ✓ New functionality to add accessories to bill of material

Graphic		Geometry		AD		Bill of materials		CAM		Presetting		
<input checked="" type="checkbox"/> Show column title												
Q...	Description	Design				Material		Catalog		Weight	Price	
Assembling ru...	L	D	X	W	Storage place	Item...	Admin No	Product code				
1	Pull Stud	DIN 69872 A for SK 40						User Library		0.100	0.00	
					R1-S2	1008		Product-1008				
1	Weldon Holder SK40//8x50							User Library		0.500	0.00	
					R2-S4	1011		Product-1011				
1	End Mill HSS 8x19 4FL							User Library		0.000	0.00	
					Dispenser	1001		Product-1001				
<input type="checkbox"/> Amt. <input type="checkbox"/> Remark <input type="checkbox"/> Adjustment length <input type="checkbox"/> Adjustment Dia <input type="checkbox"/> Adjustment width <input type="checkbox"/> Adjustment angle										Weight 0.600	Price 0.00	<input type="button" value="Add accessories"/>
▲	Qua...	Remark	Assembling rules		Item-No	Description		Design				
	1				1055	End Mill HSS 8x19 4FL						
▼	1				1055	End Mill HSS 8x19 4FL						

- ✓ New Feeds & Speeds update function for tool assemblies based on changes of component
- ✓ New optimized functionality and outlines for multi-level adjustable fine-boring tools

